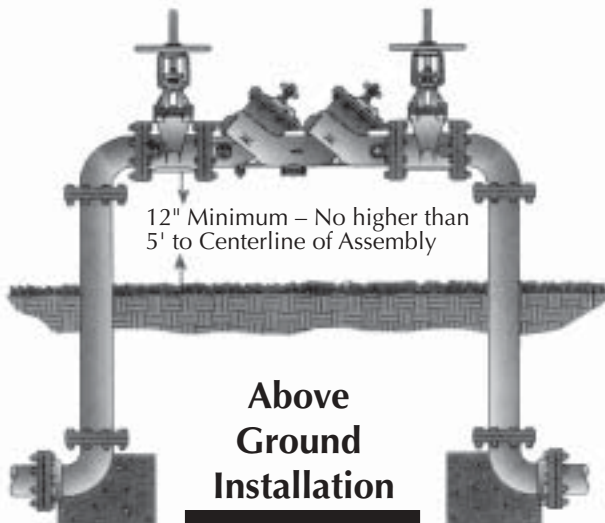


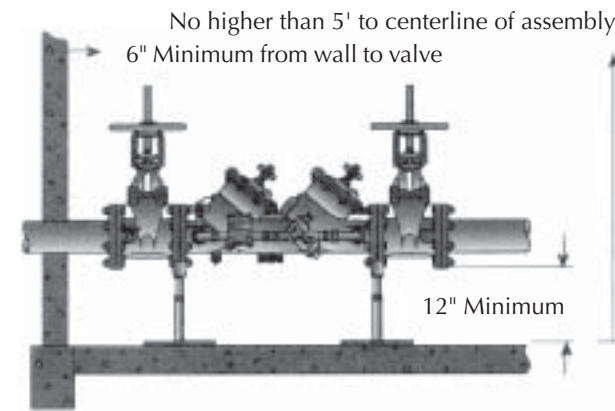
Double check valve assembly and double check detector assembly procedure requirements:

- 1) All assemblies must be on the Washington State Approved Backflow Assembly List. This list is available through the Department of Heath, (360) 236-3140.
- 2) **ALL ASSEMBLIES ARE REQUIRED TO BE TESTED BY A WASHINGTON STATE CERTIFIED TESTER UPON INSTALLATION AND ANNUALLY THEREAFTER. ASSEMBLIES MUST BE TESTED AFTER REPAIRS, RELOCATION OR REINSTALLATION.**
- 3) Contact Local Water Purveyor for inspection of all newly installed assemblies.
- 4) When choosing the backflow assembly, consult with the local purveyor to ensure it is the right assembly for the application, that is appropriate for the water temperature and is sized hydraulically to avoid excessive pressure loss.



Assembly installation requirements for double check valve assembly and double check detector assembly:

- 1) **CONTACT LOCAL WATER PURVEYOR TO ENSURE YOU ARE INSTALLING THE CORRECT ASSEMBLY FOR THE DEGREE OF HAZARD.**
- 2) Assembly must be installed as a complete unit, including two shut off valves, two check valves and four test cocks for each DCVA. All assemblies are required to be installed as a unit in the configuration they were approved by USC.
- 3) **THOROUGHLY FLUSH** the waterline prior to installing assemblies.
- 4) Assemblies must be installed a minimum of 12 inches from bottom of assembly, and no higher than 5 feet from floor* to the centerline of assembly. All assemblies must be installed horizontally, unless they have Washington State and use approval to be installed vertically. If installed in a vertical configuration, it must be a minimum of 6 inches from floor, and no higher than 5 feet to the centerline of the #2 shut-off valve. All assemblies must maintain a sufficient clearance from any wall, and 24 inches in front of assembly to ensure accessibility for maintenance and testing. Clearances may vary on small units -contact the local water purveyor for special installation requirements.



Side View or Vault

*An Assembly installed more than 5 feet above floor or ground level must have a permanent platform under it for the plumber, tester or maintenance person to stand on. The platform must comply with all applicable safety standards and codes in effect.

- 5) Assemblies 2-1/2 inches and larger (in diameter) shall have support blocks to prevent flange damage.

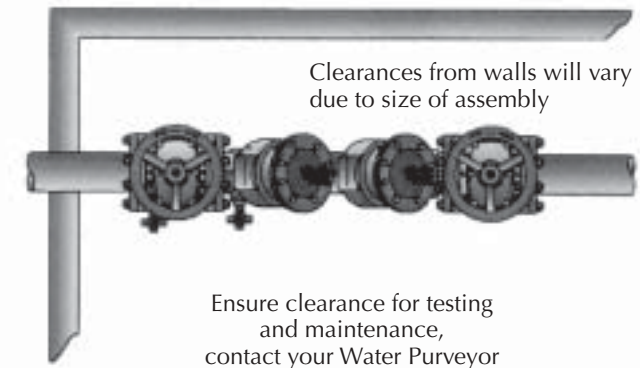
ASSEMBLIES MUST MEET ABOVE REQUIREMENTS TO ENSURE ACCESSIBILITY FOR TESTING, MAINTENANCE AND APPROVAL OF THE WATER PURVEYOR. VARIANCE OF ANY INSTALLATION MUST HAVE PRIOR WRITTEN APPROVAL OF THE LOCAL WATER PURVEYOR AND THE LOCAL OFFICIAL OF THE PLUMBING CODE AND IT'S INSPECTOR.

- 6) Plugs must be installed in all test cocks on DCVA and DCDA'S.
- 7) Follow all safety procedures referencing confined space entry.
- 8) Protect assembly from freezing, flooding and mechanical damage due to water hammer and excessive pressure.
- 9) Assemblies in vaults require proper drainage.

Double check detector assembly:

- 1) Assembly shall be installed as a complete unit as it is approved by DOH and USC.
- 2) All assemblies must maintain a sufficient clearance from anything to ensure accessibility for maintenance and testing.
- 3) When testing a Double Check Detector Assembly, both the main unit and the assembly on the Bypass must be tested and two test reports submitted to the Water Purveyor.
- 4) All other requirements are the same as the Double Check Valve Assembly.
- 5) Check with the local water purveyor for special requirements.

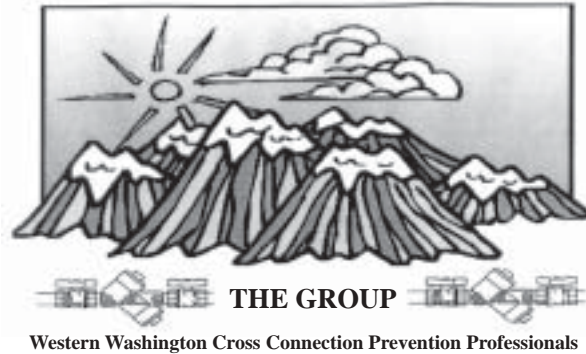
Indoor Installation Top View



This brochure is published by the Western Washington Cross Connection Prevention Professional Group (WWCCPP)
PO Box 94551
Seattle WA 98124

Proper Installation Procedures for

The Double Check Valve Assembly & The Double Check Detector Assembly



Provided By

The Local Water Purveyor

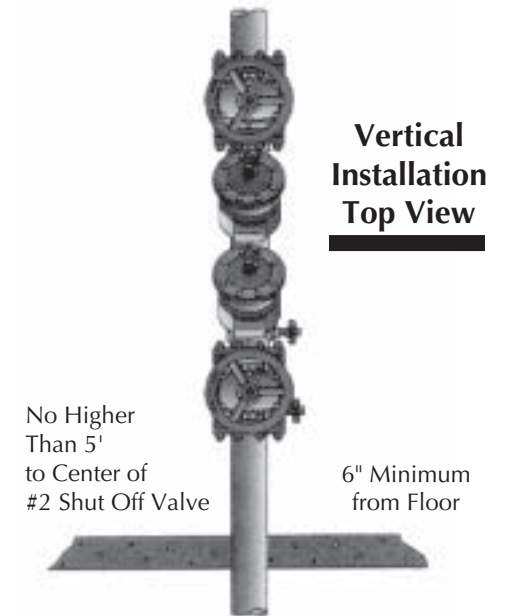
For more information, special installation requirements or to schedule an initial inspection, please contact the local Water Purveyor.

Help Us Protect
Your Drinking
Water

Double Check Valve Assembly & Double Check Detector Assembly

- 1) Thoroughly flush service line prior to installation of assembly.
- 2) The backflow assembly shall be a Washington State Approved Backflow Assembly and must be:
 - Installed as a unit,
 - Accessible for testing and maintenance,
 - Protected from freezing and vandalism,
 - Installed no higher than 5 feet from floor to centerline of assembly and a minimum of 12 inches from floor to bottom of assembly, and
 - If installed* in a vertical configuration, assembly must be a minimum of 23 inches from floor, and no higher than 5 feet from floor to center of #2 shut off valve.

*Only assemblies with approval from USC & DOH
- 3) Do not install in an area subject to flooding. If installed in a vault, a small assembly requires a 12 inch clearance below the assembly with pea gravel for drainage.
- 4) Assembly must be tested after initial installation, annually, after repairs or after relocation or reinstallation. Contact the Water Purveyor for inspection of all newly installed assemblies.
- 5) Test reports must be signed by a certified Backflow Assembly Tester and immediately sent to Local Water Purveyor.



DCVA Installation Side View 2" or Smaller

